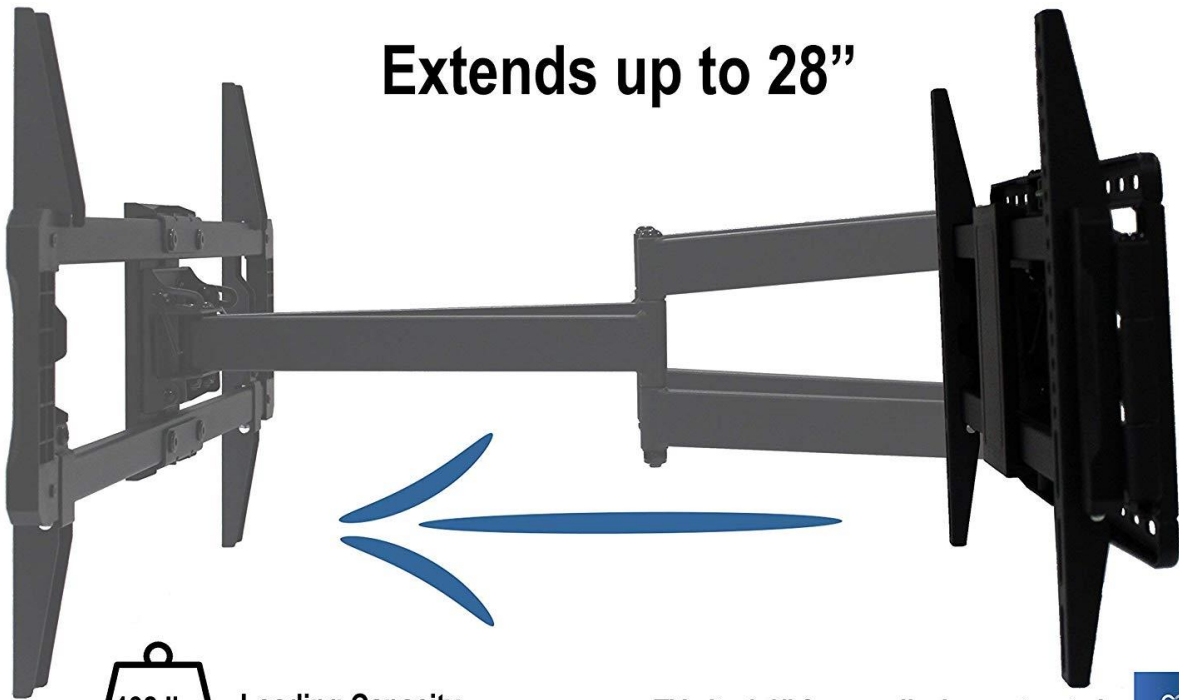


▪ Extends ▪

Extends up to 28"



132 lbs

Loading Capacity

TV sits 3.2" from wall when retracted.



▪ Swivels both directions ▪



Your favorite shows from every angle.



▪ Tilts ▪

Entertainment at every angle



▪ Easy Installation ▪

Built-in spirit bubble
Get it level every time



+5° adjustment after mount is hung



▪ Fits multiple sizes ▪



Universal VESA patterns
available (mm):

200 x 100 // 200 x 200 // 300 x 200 // 300 x 300 // 400 x 200
400 x 300 // 400 x 400 // 500 x 400 // 600 x 400

