

Technical Data:

- Frequency Range: 87-230MHz, 470-862MHz
- Receiving Range: FM/VHF/UHF
- Gain: VHF 26dB / UHF 28dB
- Output Level: 100dB μ v
- Out Impedance: 75 Ω
- Noise Figure: \leq 3dB
- Power Supply: AC/DC adapter (DC 6V 100mA) or DTV set-top box (DC 5V 40mA)

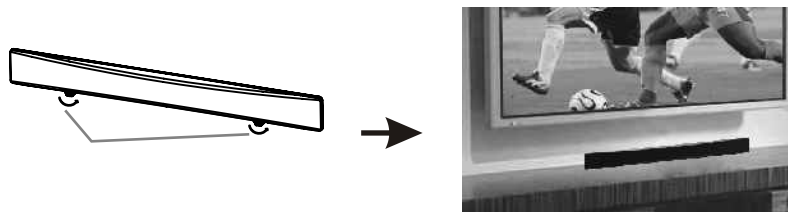
Product Features:

- SMD circuit technology design
- Shielded for minimum interference
- Built-in high gain and low noise amplifier
- Ideal tube design, extremely space efficient
- Powered by DTV set-top box or separate power adapter
- Excellent reception for digital TV signals

Antenna Placement:

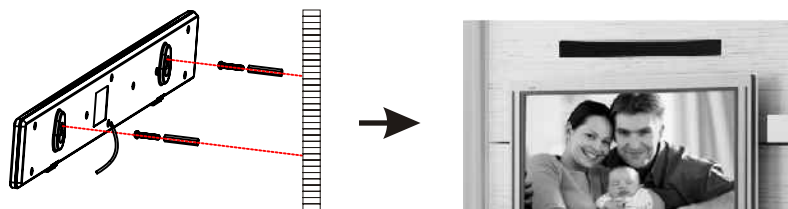
Your antenna can be installed two ways:

[Fig. 1]



Turn the feet out to keep the antenna standing on the table.

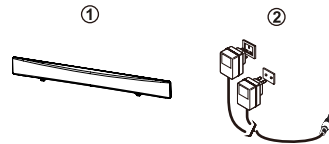
[Fig 2.]



Using the screw holes on the back side, attach the antenna to the wall.

Included in Package:

- Antenna main unit with coaxial cable
- AC/DC Power Adapter



Installation:

Option 1: Powered by DTV set-top box [Fig. 3]

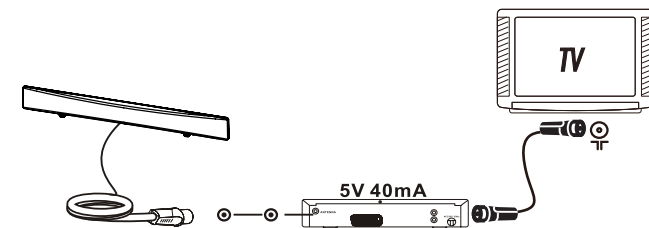
Note: Make sure that your set-top box can support 5V DC powering via the F connector to the antenna.

Step 1: Connect the coaxial cable with the antenna and DTV set-top box.

Step 2: Connect the DTV set-top box to your TV. Please make sure the coaxial cable powering function of your set-top box is ON. (Check the operating manual of your set-top box for the coaxial power function.)

Step 3: Adjust the antenna in the best position that can get clear TV picture.

[Fig. 3]



Option 2: Powered by AC/DC Adapter [Fig. 4]

Step 1: Connect the coaxial cable with antenna and the power insert (the side marked "antenna").

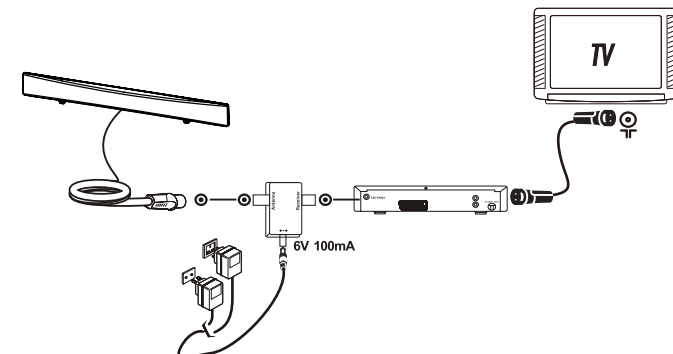
Step 2: Connect the other side of power insert to the DTV set-top box.

Step 3: Connect the DTV set-top box to your TV.

Step 4: Connect the power adapter DC output jack to the DC input connector of the power insert, and then plug the AC/DC power adapter into the AC power socket.

Step 5: Adjust the antenna in the best position that can get clear TV picture.

[Fig. 4]



Note: For the best reception, please check the following conditions:

1: Keep the antenna away from high powered sources of interference, such as air conditioners, microwave ovens, etc.

2: If possible, place the antenna near a window, in order to receive a strong signal with a minimum of interference.